

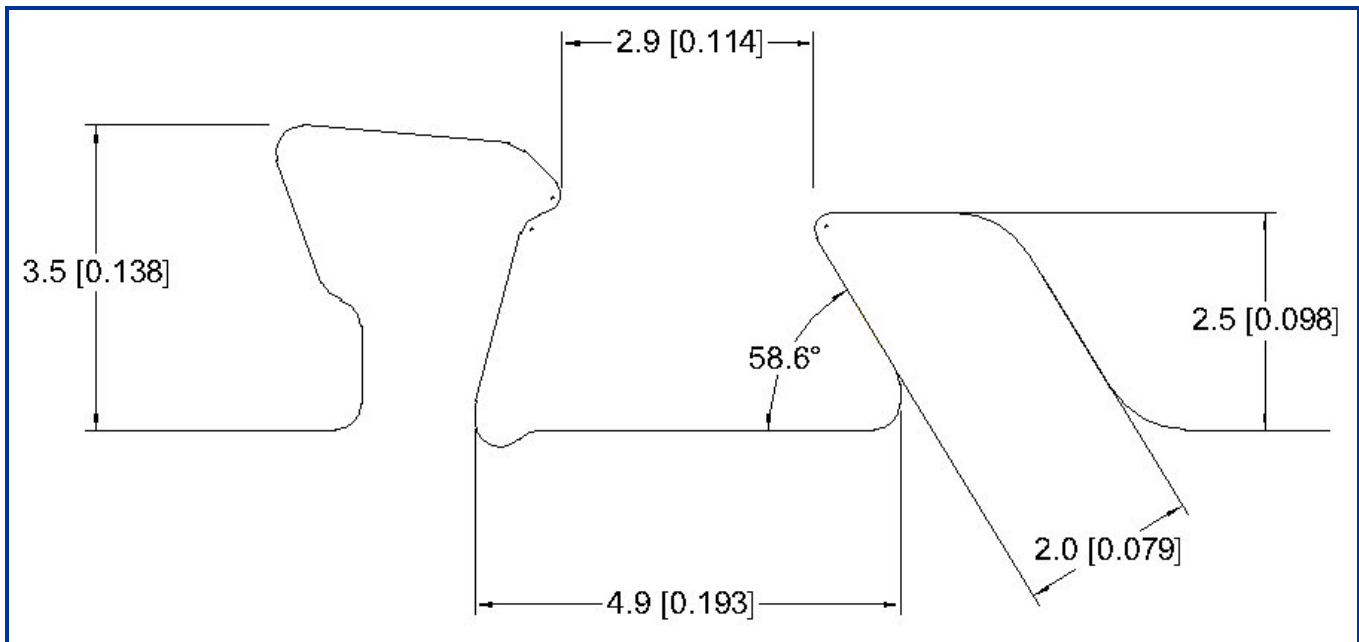


STANDARD RECESS

Technoform has spent over 30 years perfecting the use of structural thermal break, and has optimized the “pocket” or aluminum reglet, into which the “head” of the Bautec Strut fits. By using this configuration when designing the aluminum extrusion, you can be assured of a good fit between the thermal break and the aluminum extrusion, and a strong mechanical bond when properly knurled and crimped.

The design below also allows for other conditions such as paint build-up.

TECHNOFORM BAUTEC STRUT ALUMINUM REGLET



Radius = 0.2mm (0.008")
 Typical Radius = 0.3mm (0.012")
 Material: Aluminum